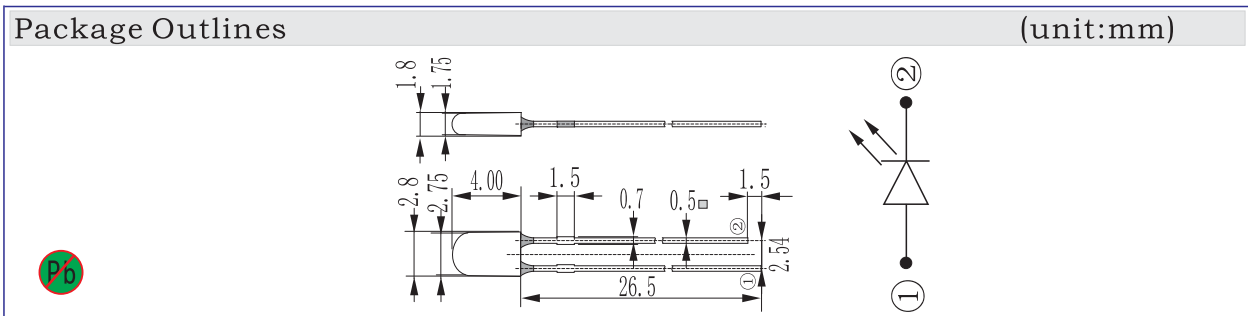


2mm Rectangle Flangeless

Part Number	Emitting Material	Wave Length λ_D (nm)	Emitting Color	Lens Type	V_F (v)	IV(mcd)	Viewing Angle $2\theta_{1/2}$ (°)
					Typ.	Typ.	
CL-2R34PD-604	GaP	700	Red	Color Diffused	2.3	10	120
CL-2R34SD-604	GaAsP/GaP	645	Red	Color Diffused	2.1	15	120
CL-2G34HD-604	GaP	565	Green	Color Diffused	2.2	20	120
CL-2Y34SD-604	GaAsP/GaP	585	Yellow	Color Diffused	2.1	30	120
CL-2O34SD-604	GaAsP/GaP	605	Orange	Color Diffused	2.0	35	120
CL-2R34HW-604	GaAsP/GaP	645	Red	White Diffused	2.0	30	120
CL-2G34HW-604	GaP	565	Green	White Diffused	2.2	45	120
CL-2Y34HW-604	GaAsP/GaP	585	Yellow	White Diffused	2.0	40	120
CL-2B34SW-604	GaInN	465	Blue	White Diffused	3.2	50	120
CL-2W34SW-604	GaInN	—	White	White Diffused	3.3	55	120
CL-2R34ST-604	GaAlAs	645	Red	Water Clear	2.0	45	65
CL-2B34HT-604	GaP	465	Blue	Water Clear	3.2	60	65
CL-2G34ST-604	GaP	565	Green	Water Clear	2.2	70	65
CL-2Y34ST-604	GaAsP/GaP	585	Yellow	Water Clear	2.1	50	65
CL-2O34ST-604	GaAsP/GaP	605	Orange	Water Clear	2.0	55	65
CL-2R34SC-604	GaAlAs	645	Red	Color Transparent	2.0	35	80
CL-2B34HC-604	GaAsP/GaP	465	Blue	Color Transparent	3.2	50	80
CL-2G34SC-604	GaP	565	Green	Color Transparent	2.2	60	80
CL-2Y34SC-604	GaAsP/GaP	585	Yellow	Color Transparent	2.1	40	80
CL-2O34SC-604	GaAsP/GaP	605	Orange	Color Transparent	2.0	45	80
CL-2P34HC-604	GaInN	400	Purple	Color Transparent	3.4	50	80
CL-2B34SC-604	GaInN	465	Blue	Color Transparent	3.4	65	80
CL-2O34SC-604	GaInN	605	Orange	Color Transparent	3.4	75	80
CL-2G34UC-604	GaInN	515	Green	Color Transparent	3.4	50	80
CL-2W34UC-604	GaInN	—	White	Color Transparent	3.4	60	80



- Remark : 1. “ \triangle ” represents Internal Circuit Feature: A、C、E...Common Cathode, B、D、F...Common Anode.
 2. “ \square ” represents LED Emitted Color.
 3. All dimensions are in millimeters, tolerance is 0.25mm unless otherwise noted.
 4. Above specification is measured by CHANGLI's test instrument and may be changed without notice.
 5. Supplier will reserve authority on material change for above specification.